

Main CPU, motor control and connectors  
 Licenced under CC-BY-NC-SA 4.0

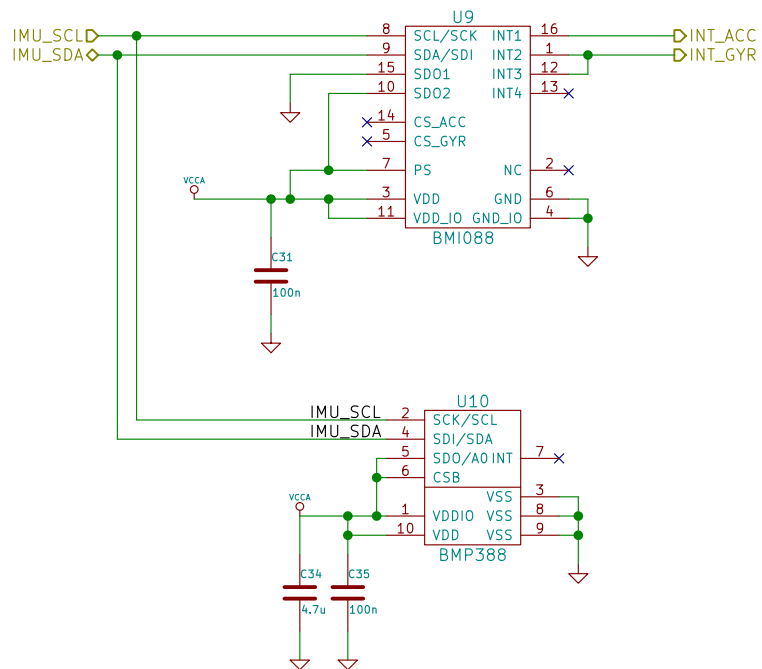


**Bitcraze AB**  
 Sheet: /  
 File: tern.sch

**Title: Crazyflie 2.1**

Size: A4 Date: 2018-12-07  
 KiCad E.D.A. kicad 4.0.7-e2-637660ubuntu17.10.1

Rev: Rev.B  
 Id: 1/3



Please note the following about the Crazyflie expansion connectors:

- \* VCOM is power directly from the battery/USB and is not regulated
- \* VCC is regulated to 3.0V
- \* VUSB is connected directly to the USB which means this will supply at 4.5–5.5V when the USB is connected and can be used for charging the battery when the USB is not connected

Licensed under CC-BY-NC-SA 4.0

**Bitcraze AB**

Sheet: /imu/

File: imu.sch

**Title: Crazyflie 2.1**

Size: A4

Date: 2018-12-07

Rev: **Rev.B**

KiCad E.D.A. kicad 4.0.7-e2-637660ubuntu17.10.1

Id: 2/3

