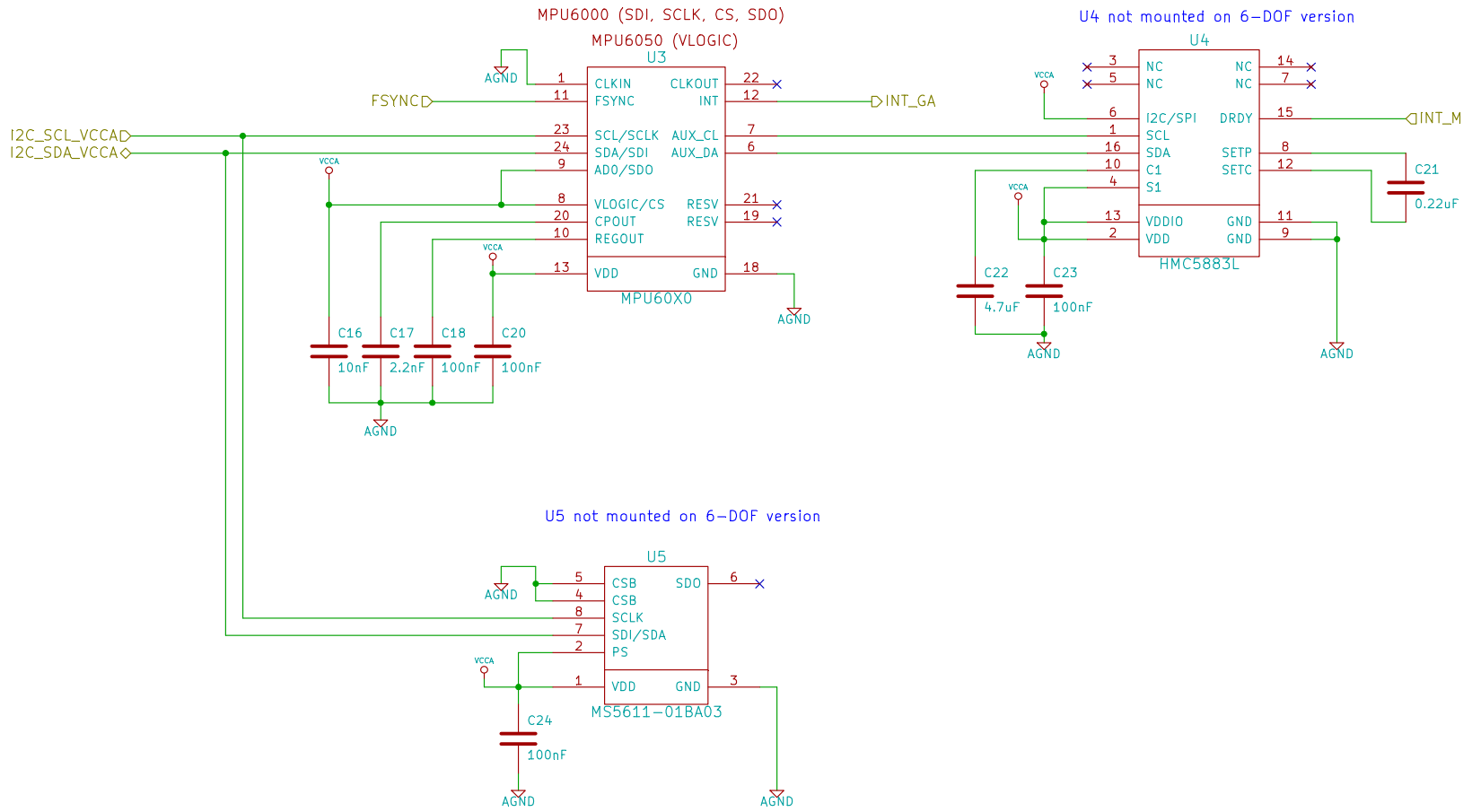
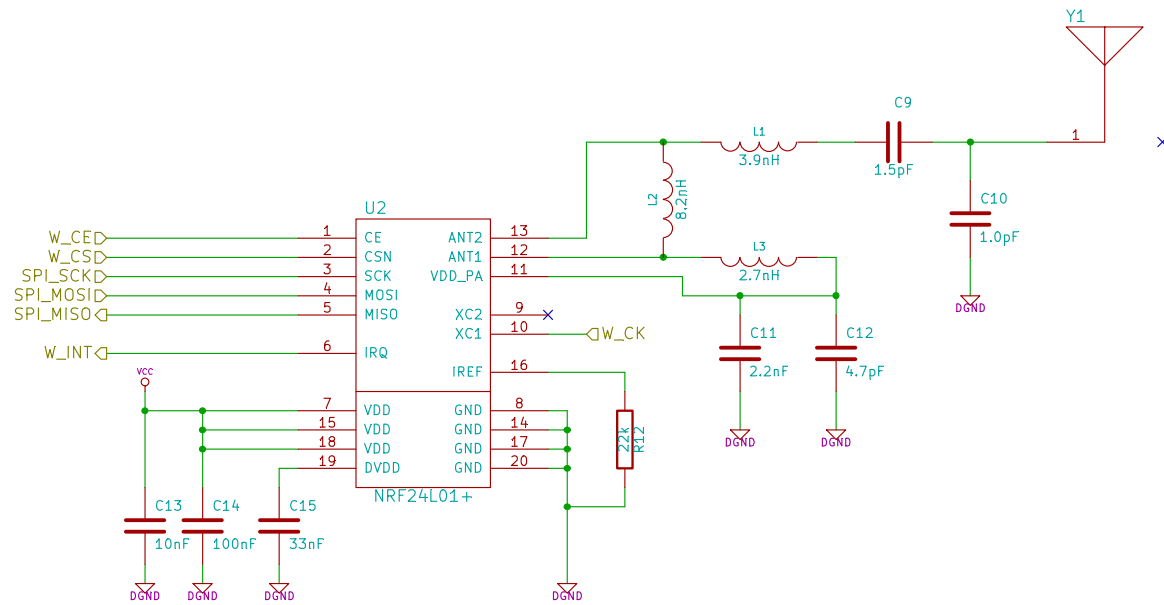


Mount pull-down (OR) and don't mount pull-up to comply with ARM 10-pin spec.

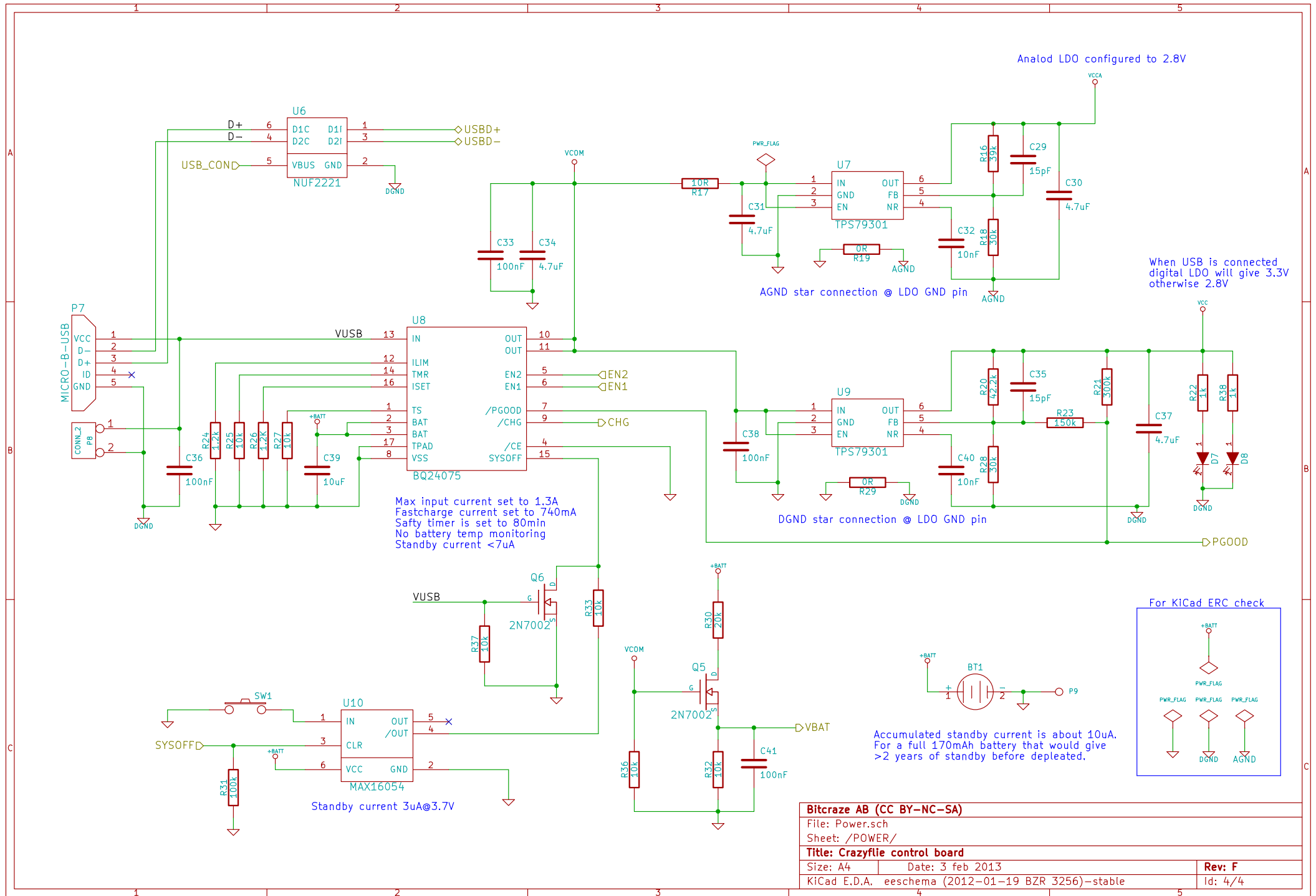
Bitcraze AB (CC BY-NC-SA)	
File: Crazyflie contol board.sch	
Sheet: /	
Title: Crazyflie control board	
Size: A4	Date: 3 feb 2013
KiCad E.D.A. eschema (2012-01-19 BZR 3256)-stable	Rev: F
	Id: 1/4



Bitcraze AB (CC BY-NC-SA)		
File: IMU.sch		
Sheet: /IMU/		
Title: Crazyflie control board		
Size: A4	Date: 3 feb 2013	Rev: F
KiCad E.D.A. eeschema (2012-01-19 BZR 3256)-stable		Id: 2/4



Bitcraze AB (CC BY-NC-SA)		
File: Wireless.sch		
Sheet: /WIRELESS/		
Title: Crazyflie control board		
Size: A4	Date: 3 feb 2013	Rev: F
KiCad E.D.A. eeschema (2012-01-19 BZR 3256)-stable		Id: 3/4



Bitcraze AB (CC BY-NC-SA)	
File: Power.sch	
Sheet: /POWER/	
Title: Crazyflie control board	
Size: A4	Date: 3 feb 2013
KiCad E.D.A. eeschema (2012-01-19 BZR 3256)-stable	Rev: F
	Id: 4/4