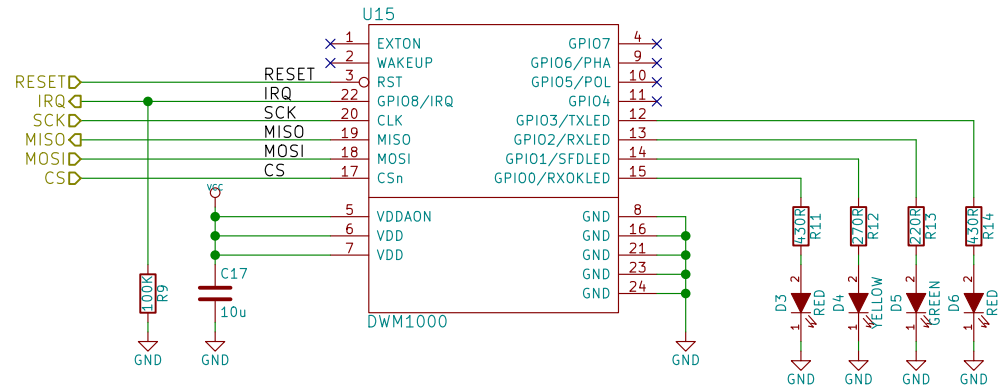
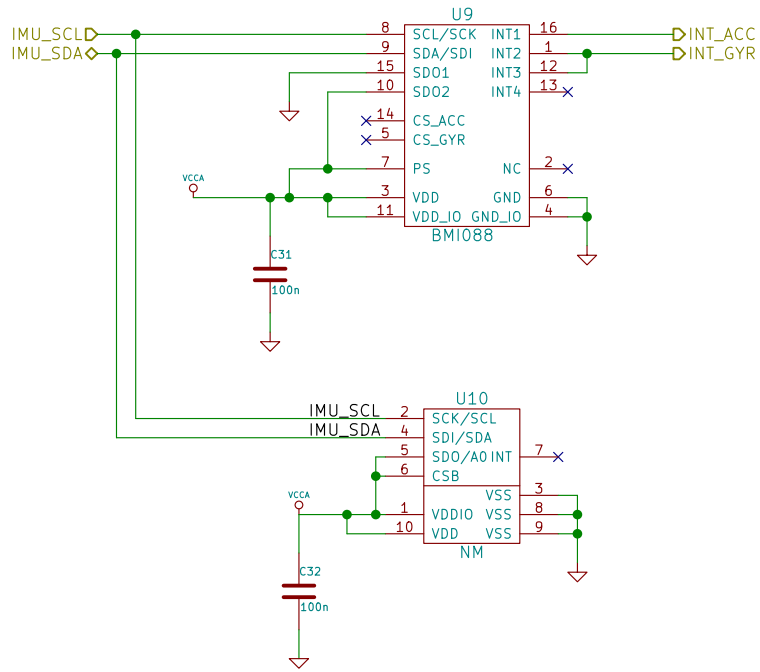


0xBC

Main CPU and connectors
 Licenced under CC-BY-NC-SA 4.0
Bitcraze AB
 Sheet: /
 File: roadrunner.sch

Title: Roadrunner

Size: A4	Date: 2018-06-07	Rev: Rev.B
KiCad E.D.A. kicad 4.0.2+dfsg1-stable		Id: 1/3



Please note the following about the Crazyflie expansion connectors:
 * VCOM is power directly from the battery/USB and is not regulated
 * VCC is regulated to 3.0V
 * VUSB is connected directly to the USB which means this will supply at 4.5–5.5V when the USB is connected and can be used for charging the battery when the USB is not connected

IMU and DWM1000
 Licensed under CC-BY 4.0

Bitcraze AB

Sheet: /imu/
 File: imu.sch

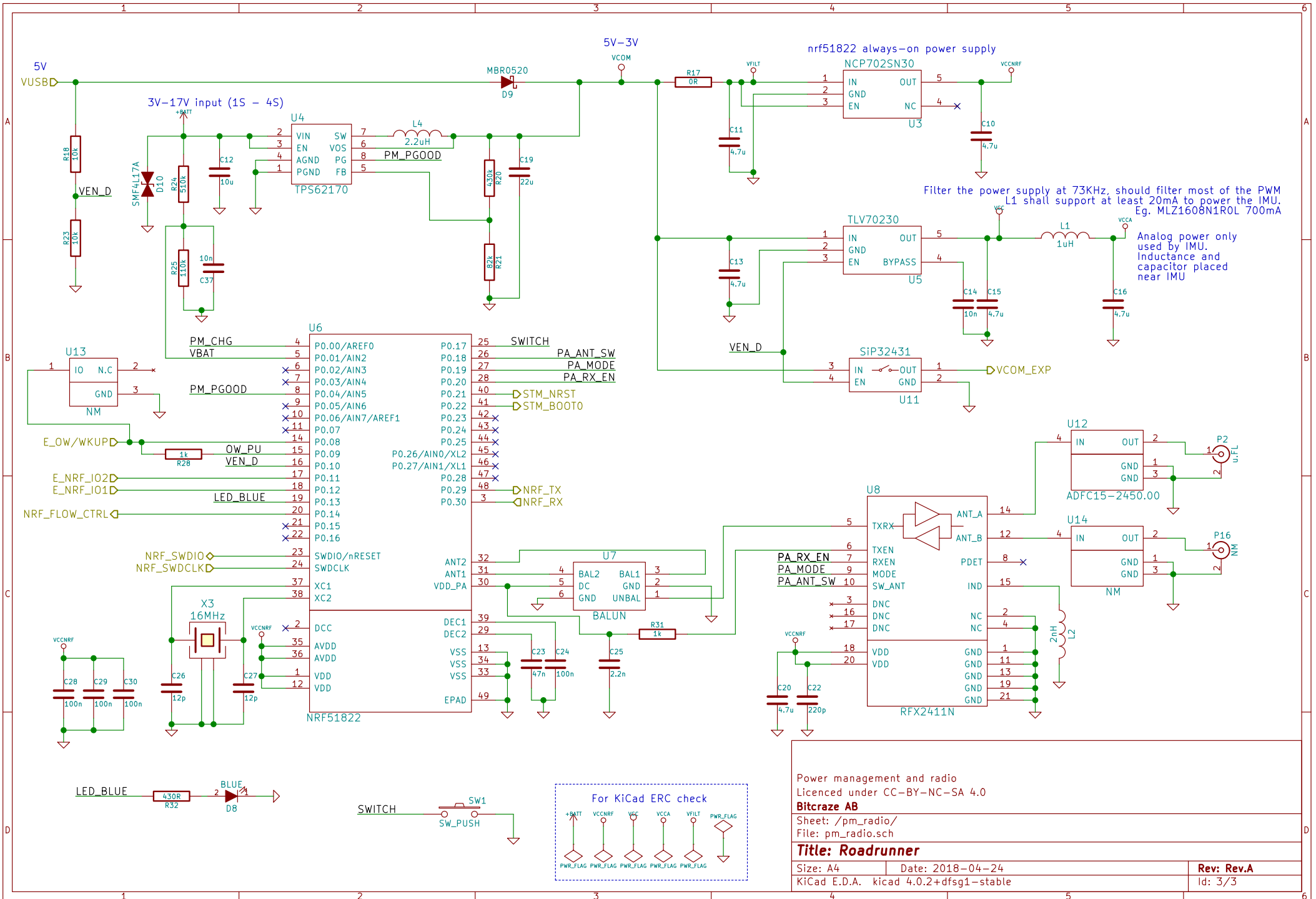
Title: Roadrunner

Size: A4 Date: 2018-04-24

KiCad E.D.A. kicad 4.0.2+dfsg1-stable

Rev: A

Id: 2/3



Power management and radio
 Licenced under CC-BY-NC-SA 4.0

Bitcraze AB

Sheet: /pm_radio/
 File: pm_radio.sch

Title: Roadrunner

Size: A4 Date: 2018-04-24

KiCad E.D.A. kicad 4.0.2+dfsg1-stable

Rev: Rev.A

Id: 3/3